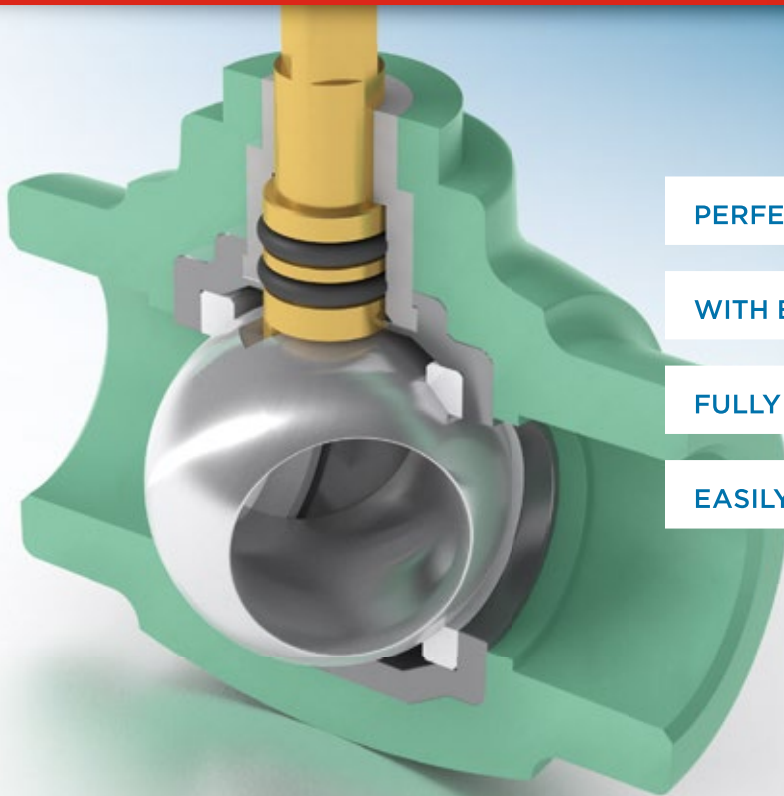




... more than pipes

WWW.FVPLAST.COM



PERFECTLY TIGHT

WITH ERGONOMIC LEVER

FULLY FLOW PROFILE

EASILY OPERATING



FV PPR VALVE

BALL VALVE WITH LEVER

New, perfectly tight ball valve
with an ergonomic lever
and many more enhanced features

FV AQUA



FV PPR BALL VALVE WITH LEVER

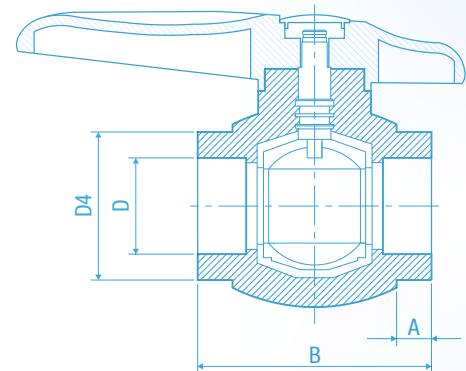
A new plastic ball valve, not only with its modern ergonomic look, but also with improved features such as ease-of-use, increased durability, or full flow profile.

The main benefits

- Perfect tightness of the valves
- Improved shaft housing design
- Protective sleeve to prevent dirt on the lever
- Ergonomic lever for easy handling
- Fully flow profile
- Enhanced installation and control comfort, thanks to innovative design, suitable materials and optimal manufacturing process

Technical parameters

Colour	green / gray
Material	PP-R
Appropriate uses	hot and cold water



Icon 1	Icon 2	Icon 3	Icon 4	Icon 5	Icon 6	# ●	# ●		D [mm]	D4 [mm]	A [mm]	B [mm]
16	ks	40	10	0.12	0.17	AA271016000Z	BA271016000Z	with a butterfly	16	22.8	13	58
20	ks	40	10	0.13	0.3	AA271020000Z	BA271020000Z	with a butterfly	20	30.5	14.5	63
20	ks	40	10	0.13	0.3	AA271020100Z	BA271020100Z	with a lever	20	30.5	14.5	63
25	ks	40	4	0.19	0.45	AA271025100Z	BA271025100Z	with a lever	25	37	16	71
25	ks	40	4	0.19	0.45	AA271025000Z	BA271025000Z	with a lever	25	37	16	71
32	ks	20	2	0.33	0.9	AA271032000Z	BA271032000Z	with a lever	32	45	18	85
40	ks	15	1	0.46	1.2	AA271040000Z	BA271040000Z	with a lever	40	57	20.5	99

Dimension Unit Amount in a large package kg/unit dm³/unit



FV - Plast, a.s.

@: fvplast@fvplast.com
Kozovazská 1049/3 | 250 88 Čelákovice | Czech Republic

T: +420 326 706 711
F: +420 326 706 721